



**7 YEAR  
WARRANTY**

**HIGH  
EFFICIENCY**

**COLOUR  
SELECTABLE**

SKU	Watts	lm/W	Lumens	Colour	Beam
-----	-------	------	--------	--------	------

**600mm**

AA-LNV620-CS      20W      up to 140      2800lm      3000K / 4000K / 6500K      120°

**1200mm**

AA-LNV1240-CS      40W      up to 140      5600lm      3000K / 4000K / 6500K      120°

**1500mm**

AA-LNV1550-CS      50W      up to 140      7000lm      3000K / 4000K / 6500K      120°

**Accessories**

AA-LNVA-CS-L      90° accessory

AA-LNVA-CS-V      V accessory

AA-LNVA-CS-T      T accessory

AA-LNVA-CS-Y      Y accessory

AA-LNVA-CS-X      4 way accessory

**White option available**, contact sales office for more information

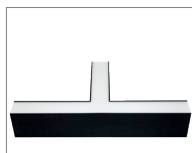
Colour options:



Black



90° Elbow



Tee



4 Way

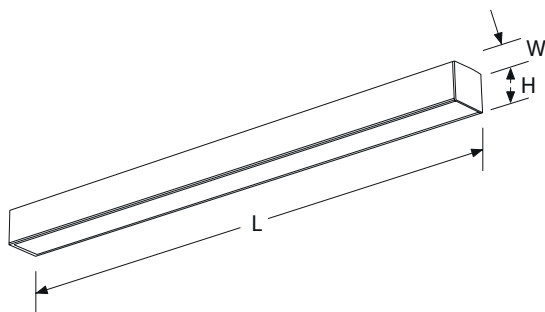


Vee



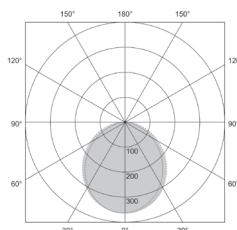
Y

## Line Drawing



## Polar Curves

40W 4000K 120°



<b>AA-LNV620-CS</b>	<b>AA-LNV1240-CS</b>	<b>AA-LNV1550-CS</b>
(L) 600mm Length	(L) 1200mm Length	(L) 1500mm Length
(W) 50mm Width	(W) 50mm Width	(W) 50mm Width
(H) 75mm Height	(H) 75mm Height	(H) 75mm Height

## Product Features:

- Linkable
- High Efficacy
- 3 CCT Selectable
- Illuminated Joining Accessories (Bends, Tees, Cross Etc)
- Suspension kit included
- Flicker free
- 1.5kV surge protection

## Product Specification:

Installation Type	Surface / Suspended
Input Voltage	200 - 240V
Luminaire Materials	Aluminium
Lifetime	50,000
CRI	80
IK Rating	IK06
IP Rating	IP20
Warranty	7 Years

## Warranty:

This product has a warranty period of 7 Years. Warranties may be available on certain products as indicated in the product description. Warranties are valid from the date of purchase. The warranty is invalid in the case of improper use, installation, tampering, removal of the Q.C. date label or installation in an improper working environment or installation. Should this product fail during the warranty period it will be replaced free of charge, subject to the correct installation of the original product and subsequent return of the faulty unit. Aurora does not accept responsibility for any installation costs associated with the replacement of this product and Aurora reserve the right to alter.