



**7 YEAR
WARRANTY**

**HIGH
EFFICIENCY**

**THINK LUMENS NOT WATTS
LOWER ENERGY - SAME LUMENS**

SKU	Watts	lm/W	Lumens	Colour	Beam	Nett Weight
AA-HBB90-40	90W	180	16200lm	4000K	120°	3.0kgs
AA-HBB130-40	130W	180	23400lm	4000K	120°	3.0kgs
AA-HBB170-40	170W	180	30600lm	4000K	120°	3.5kgs

Colour :



Black

Accessories

EN-HBD60A	60° lens for Cosmos+™ AA-HBB90 & AA-HBB130
EN-HBD60B	60° lens for Cosmos+™ AA-HBB170
EN-HBD90A	90° lens for Cosmos+™ AA-HBB90 & AA-HBB130
EN-HBD90B	90° lens for Cosmos+™ AA-HBB170
EN-HBDMB1	Mounting bracket for Cosmos+™ AA-HBB90 & AA-HBB130
EN-HBDMB2	Mounting bracket for Cosmos+™ AA-HBB170
EN-HBDMS	Microwave sensor for Cosmos+™
EN-HBDRRC	Remote controller for Cosmos+™ microwave highbay
EN-HBD-AR-M	Aluminium reflector AA-HBB90 & AA-HBB130
EN-HBD-AR-L	Aluminium reflector AA-HBB170
EN-HBD-PR-M	Acrylic reflector AA-HBB90 & AA-HBB130
EN-HBD-PR-L	Acrylic reflector AA-HBB170

Accessories sold separately



60° & 120° lens



Mounting bracket



Aluminium & Acrylic
Reflectors
(Special Order)



Microwave sensor

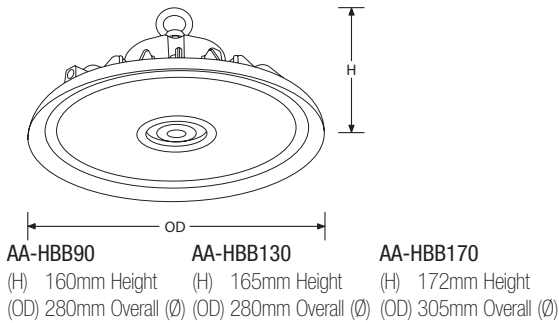


Motion & daylight
harvesting sensor

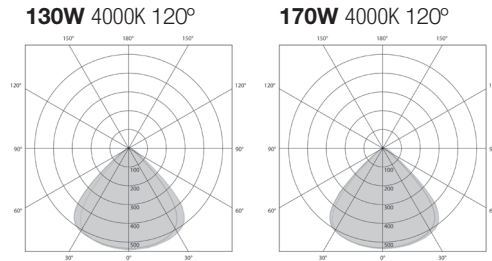


Remote Controller

Line Drawing



Polar Curves



Product Features:

- Up to 30600 lumens (sold separately)
- Delivering 180lm/W
- 120° beam angle (standard)
- Optional 60° and 90° lens available
- Dotted lens
- -40° to +50° working temperature
- Safety cable + 1.5m AC wire
- Flicker free
- 6kV surge protection

Product Specification:

Installation Type	Ring
Input Voltage	220 - 240V
Luminaire Materials	Die Cast Aluminium, Polycarbonate
Lifetime L80B50	100000
CRI	80
IK Rating	IK10
IP Rating	IP65
Warranty	7 Years

Warranty:

This product has a warranty period of 7 Years. Warranties may be available on certain products as indicated in the product description. Warranties are valid from the date of purchase. The warranty is invalid in the case of improper use, installation, tampering, removal of the Q.C. date label or installation in an improper working environment or installation. Should this product fail during the warranty period it will be replaced free of charge, subject to the correct installation of the original product and subsequent return of the faulty unit. Aurora does not accept responsibility for any installation costs associated with the replacement of this product and Aurora reserve the right to alter.